

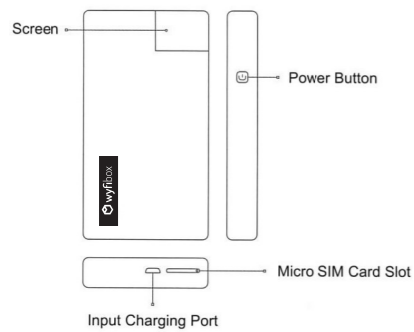


USER MANUAL

LTE Wireless Data Terminal
Model: Wyfibox

Wyfibox is distributed by CYC2 (www.cyc2.be)

WYFIBOX APPEARANCE



FUNCTION DESCRIPTION

- Power Button**
Long press the power button for 3 seconds to power on/off, short press to wake up device or switch screen.
* Reset Device: Long press Power Button for 15 seconds to reset & restart when Wyfibox device can't be turned off properly.
- Micro SIM Card Slot**
Insert SIM / USIM card here.
- Input Charging Port**
Charge device through data cable.
- Screen**
Display of Wyfibox device information, network connection status, etc.

INSTRUCTIONS

How to Connect to Wyfibox:

- 1. Connect Network**
After power on, Wyfibox takes 2-3 minutes to connect and access to the preferred local network. Connecting details will be displayed in the screen.
- 2. Surf Internet**
With Wyfibox device on, short press the power button, WiFi hotspot name (SSID) and password (PWD) will be displayed in the screen, connect your smart phone or pad to Wyfibox network by input password to start surfing internet.

SIM CARD SETTING

Wyfibox provides a second using mode by enabling SIM Card, setting as follows:

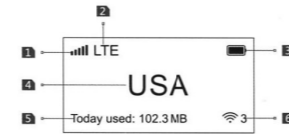
- 1.** As shown in the figure below, insert SIM Card under the power off status of Wyfibox device.



- 2.** By wireless connecting your Internet Equipment to Wyfibox mobile hotspot.
Set APN details from http://192.168.1.1/apn_set.html

SCREEN

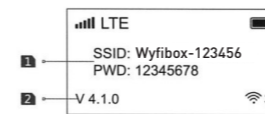
Interactive screen will be displayed after network successfully connected:



- 1.** Signal strength
- 2.** Network type (UMTS / H / H+ / LTE)
- 3.** Battery icon (means it is in charging)
- 4.** Country in using
- 5.** Traffic used today
- 6.** Number of connections

SCREEN

Short press the power button to switch to the second screen:



- 1.** Wyfibox hotspot name (SSID) and password (PWD)
- 2.** Wyfibox version, if SIM Card inserted, the screen will display "SIM in using"

NETWORK STANDARDS

Support multi-bands of LTE FDD, bands of 1,2,3,4,5,7,8,17,19,20

Support multi-bands of LTE FDD, bands of 38,39,40,41

Support HSPA+ /UMTS (2100MHz / 1900MHz 1700MHz(AWS) / 900MHz / 850MHz)

Maximum rate 150Mbps
Support 802.11 b/g/n

Support band 2.4G

Support simultaneous connections for 5 devices

BATTERY

Battery Capacity: High-capacity battery of 5000mAh

Charging Voltage: DC 5V 1A

Full Charging: 6 hours required

Battery Life: Standby for 24 hours. In using for 12 hours. Please charge first if not prolonged used.

Note-1: The ambient temperature should be 0 C - 45 C; 20% battery capacity would be lost after normal using for one year.

Note-2: Do not over charge or discharge, users are highly recommended to: recharge every 2 months if not in used.

PRECAUTIONS

Please read the following precautions before using:

- Handle with care, device should be kept cleanly.
- Do not put in place with wet, water or other liquids.
- Do not put in place of extremely high or low temperatures.
- Do not put near flame or lit tobacco.
- Do not drop, throw, bend or demolish.
- Do not put or install on top of car airbags.
- Altitude: □ 2000 meters, the power adapter determines
- the applicable altitudes for using.
- Ambient Temperature: device can be normally used at the temperature of -10 □ ~ 45 □.

ENVIRONMENTAL DECLARATION

The following statements are in line with relevant provisions of the «Electronic Information Products Pollution Control Management Measures» of the People's Republic of China. Listed declaration applies to Wyfibox:

Name	Toxic and Hazardous Substances or Elements			
	Lead Pb	Mercury Hg	Cadmium Cd	Hexavalent Chromium Cr6+
RoamWiFi Device	0	0	0	0
Accessories	0	0	0	0
Name	Polybrominated Biphenyls PBB		Polybrominated Diphenyl Ethers PBDE	
RoamWiFi PR	0		0	
Accessories	0		0	

RECTO

VERSO